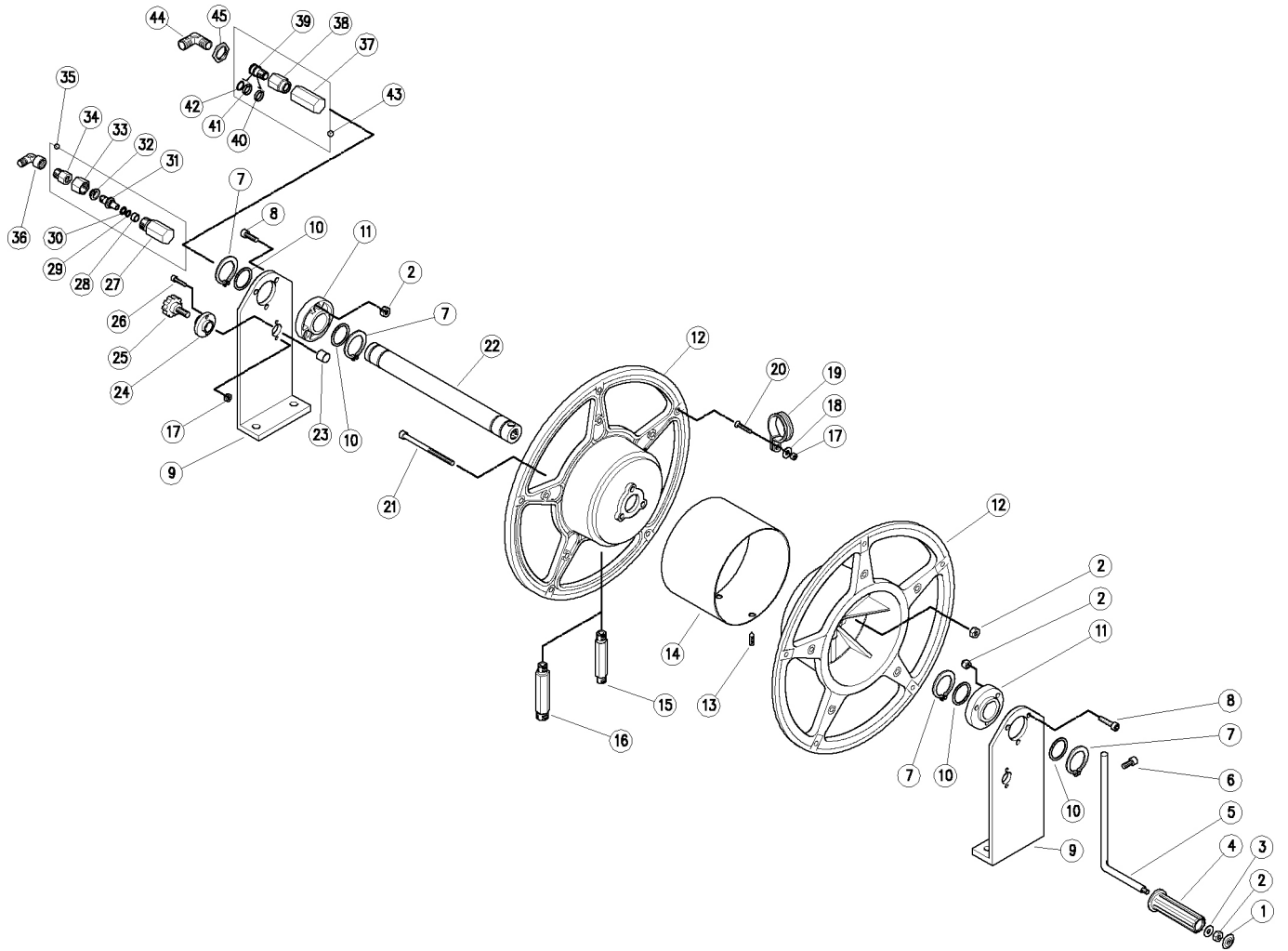


29.0360.00 T52 Hose reel,alum,3/8MM Bsp 80m

29.0375.00 T53 Hose reel,alum,1/2MM Bsp 58m



Pos.	P/N	Description	Q.ty	K1	K2	K3	K4
1	41.0411.84	Plug, Knob PP black	1				5
2	11.4589.10	Hex. locknut, M8	10				10
3	14.3572.00	Washer, 8,4x21x1,5 mm	1				10
4	29.0370.84	Rotat.handle	1				2
5	29.0363.61	Crank -T52 M8x250 mm	1				1
6	16.1958.16	Screw, DIN912 M8x16 mm z.pl.	1				4
7	10.1035.00	Snap ring, E 35	4				5
8	16.1958.26	Screw, DIN912 M8x25 mm z.pl.	6				4
9	29.0364.63	Upper rest-T52, black	2				2
10	14.4076.00	Washer, 35x43x2 mm	4				10
11	29.0368.84	Flange, 80x28 mm black	2				2
12	29.0361.44	Side disc -T52, Al black	2				1
13	16.2241.20	Set screw, DIN914 M10x20 mm	2				10
14	29.0369.66	Casing -T52, black	1				1
15	29.0377.51	Cylinder, 115 mm 1/2Bsp M	1				1
16	29.0362.51	Cylinder, 113 mm 3/8Bsp MM (1)	1				1
17	11.4541.00	Hex. nut, M6	4				10
18	14.3570.18	Washer, 6,6x18x2 mm	2				10
19	11.7524.30	Hose clamp, d.22 mm	2				5
20	16.1898.25	Screw, DIN7991 M6x30mm	2				10
21	16.1961.20	Screw, DIN912 M8x120 mm z.pl.	3				4
22	29.0367.66	Tube, 35x360 mm	1				1
23	29.0366.81	Brake T52	1				3

Pos.	P/N	Description	Q.ty	K1	K2	K3	K4
24	29.0365.61	Flange, 45x21mm	1				2
25	16.4540.35	Handwheel, M10x30 mm M	1				3
26	16.1895.18	Screw, DIN912 M6x18 mm z.pl.	2				4
27	26.1131.51	Coupling, 90° 3/8F Bsp-M22x1M Sst. (1)	1				5
28	26.1046.84	Bushing, 10x14x7 mm Plast. (1)	1				5
29	10.3109.95	O-ring, 2,4x9,3 mm Vi 70 (1)	1				25
30	10.4010.01	Back-up ring,10,2x13,9x1,2mm (1)	1				50
31	26.1041.51	Pin, M12x1,25 Sst. (1)	1				5
32	26.1045.84	Bushing, 12x20x6 mm Plast. (1)	1				5
33	26.1042.51	Ring nut, M22x1 Sst. (1)	1				5
34	26.1101.51	Back cpl.,M12x1,25F-3/8M Bsp c/sunk Sst (1)	1				5
35	26.1130.00	MR-I 3/8 Bsp FM Sst. (1)	1				3
36	12.2010.00	Elbow, brass, 3/8MF Bsp (1)	1				25
37	29.0376.51	Coupling, 3/8F Bsp Sst. (2)	1				5
38	26.1073.51	Coupling, 1/2F Bsp Sst. (2)	1				5
39	26.1072.51	Pin, M15x1-19 mm Sst. (2)	1				5
40	26.1074.85	Bushing, 15,5x19x4 mm PTFE (2)	1				5
41	26.1075.85	Bushing, open 15,5x19x4 mm PTFE (2)	1				5
42	10.3092.10	O-ring, 2x15 mm Vi 70 (2)	1				10
43	26.1078.00	SW5 Swivel,sst 1/2-3/8 Bsp FF (2)	1				5
44	12.2020.00	Elbow, brass, 1/2MM Bsp (2)	1				25
45	29.0175.31	Nut, 1/2F Bsp brass (2)	1				10

(1) 29.0360.00 (2) 29.0375.00